


75x75	100x100
100x200	400x200
200x100	300x400
200x200	400x300
200x300	400x400
300x200	600x400
300x300	




CAUTION: DO NOT EXCEED  
RATED LISTED WEIGHT. SERIOUS  
INJURY OR PROPERTY DAMAGE  
MAY OCCUR!

XTR-FS4065  
XTR-FS4070  
XTR-FS4075

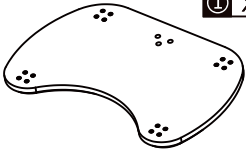
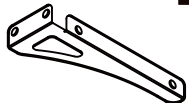
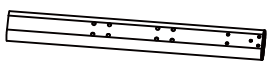

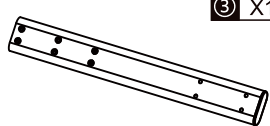
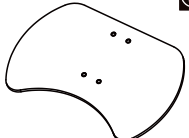

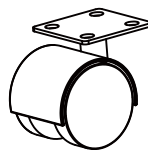
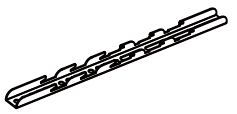
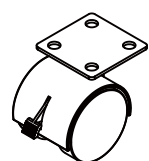
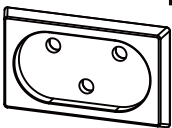
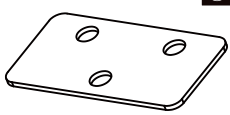
**PART LIST**

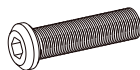
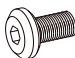








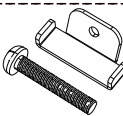
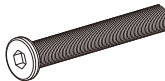





Plastic Washer










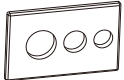


Steel Washer

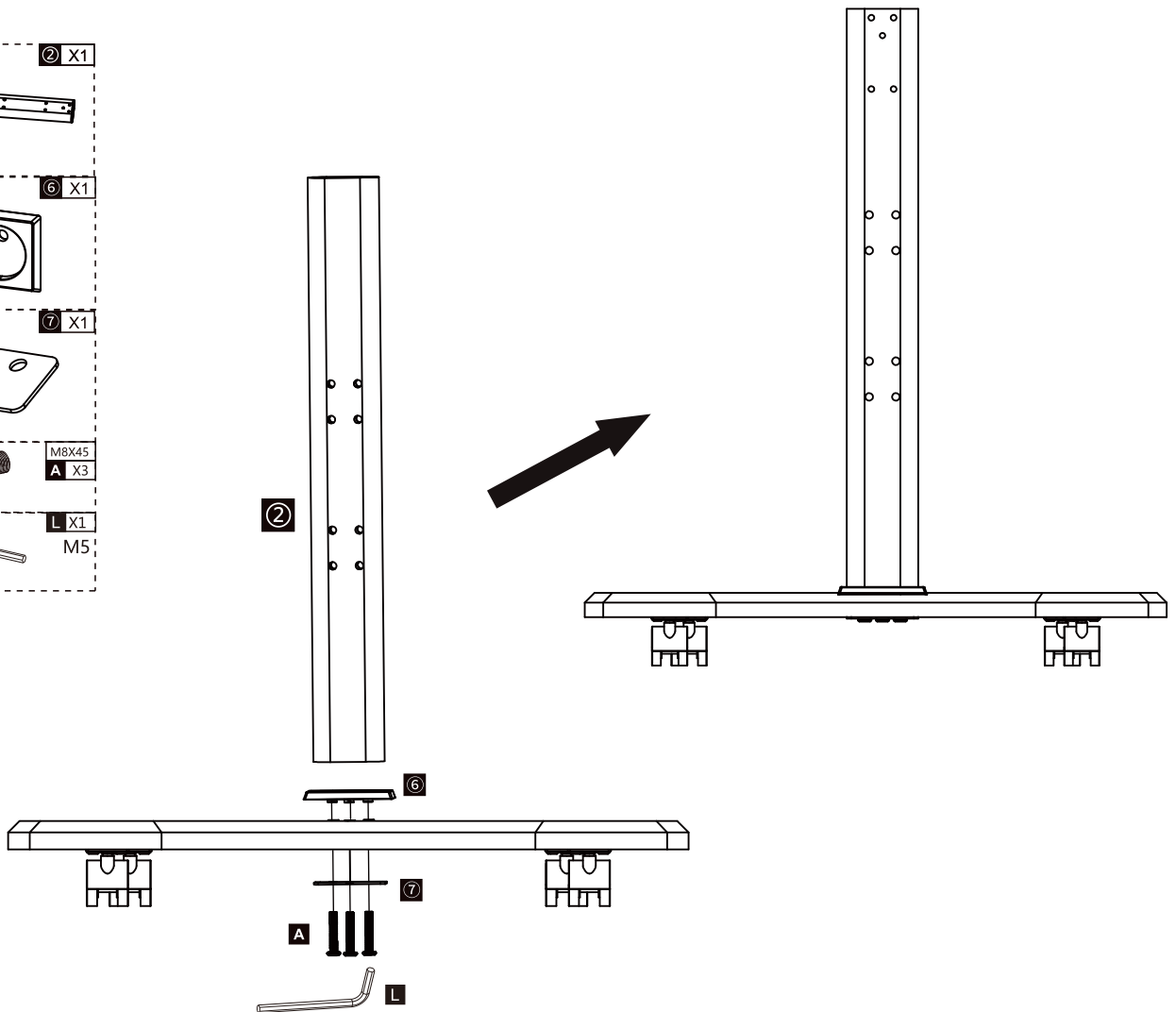
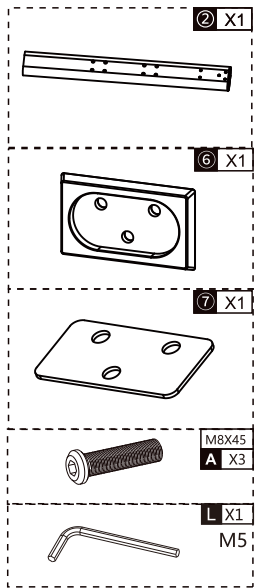
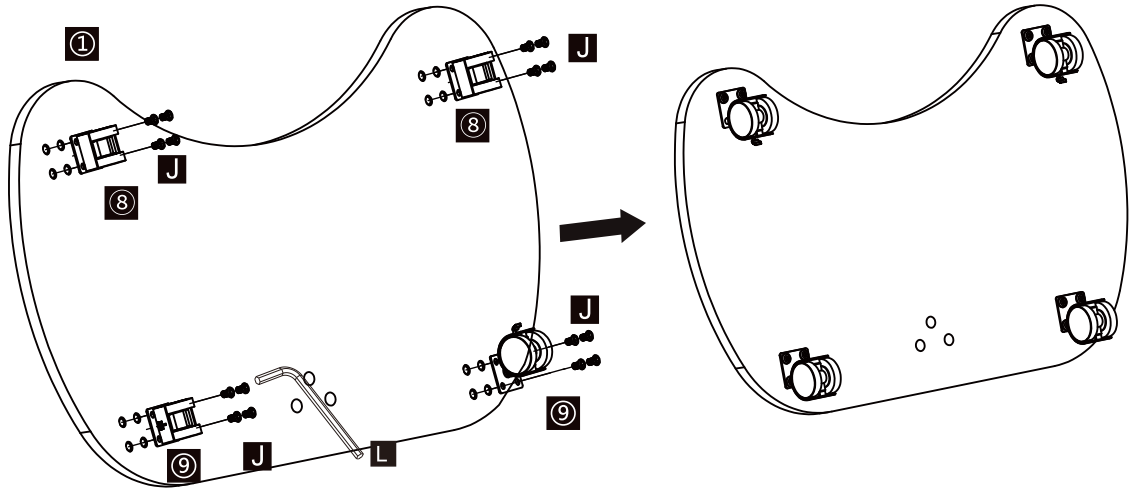
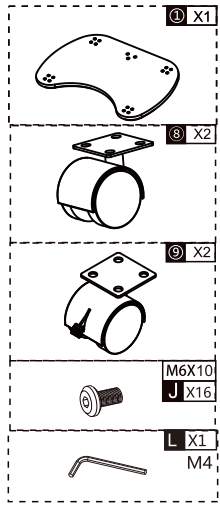
 ① X1	 ⑧ X1
 ② X1	 ⑨ X1
 ③ X1	 ⑪ X1
 ④ X1	 ⑫ X2
 ⑤ X2	 ⑬ X2
 ⑥ X1	
 ⑦ X1	

 M8X45 A X3	 M6X10 J X20
 M6X25 B X4	 K X2
 M6X16X1.5 C X4	 L X1 M5
 M6X40 D X4	 L X1 M4
 E X2	 L X1 10
 F X2	
 M6X50 G X4	
 M6x16x1 H X4	
 M6 I X4	

**FOR TV INSTALLATION**

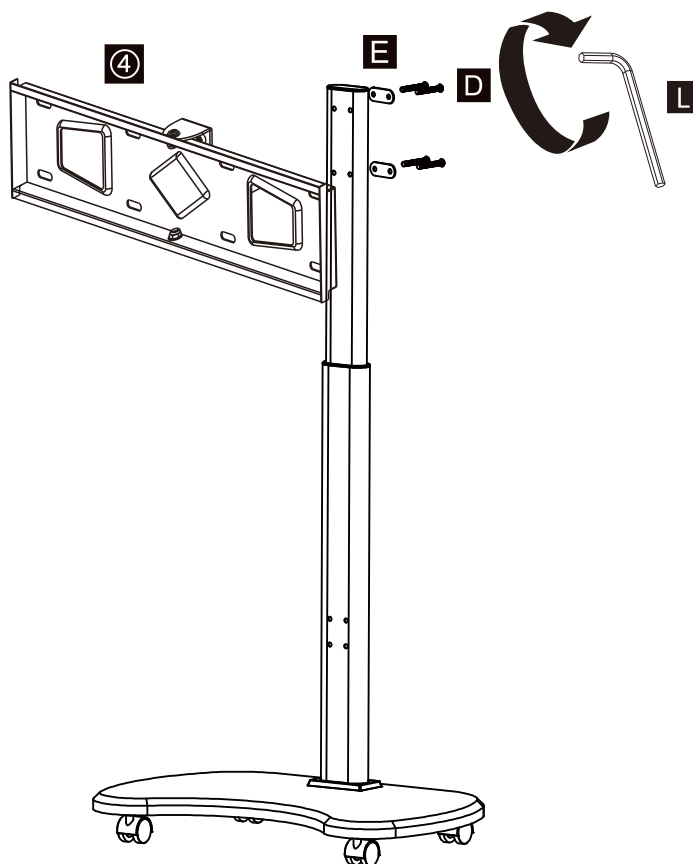
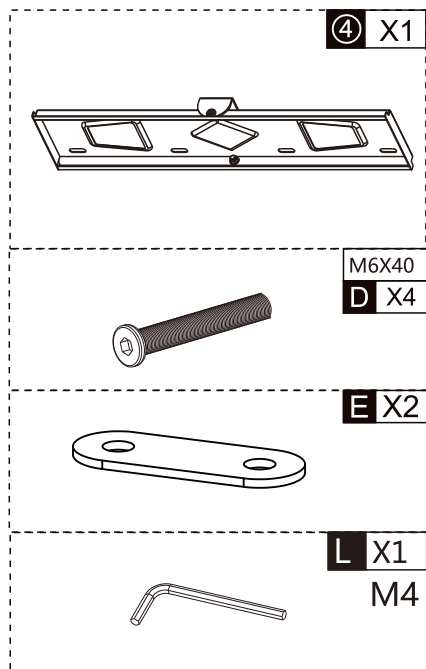
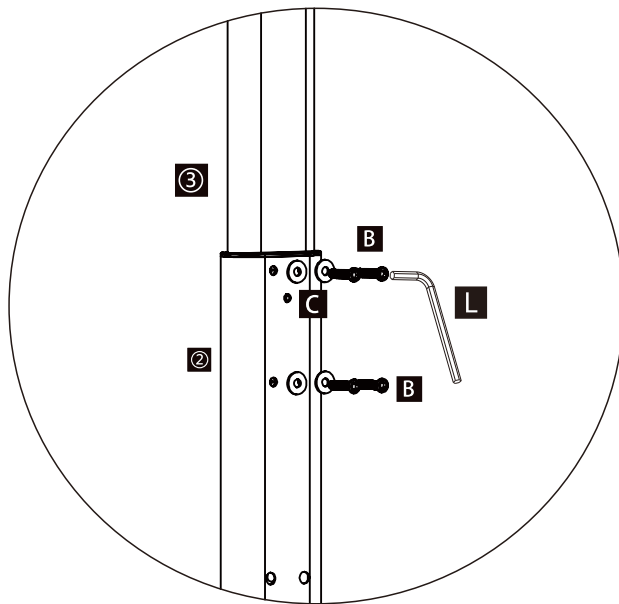
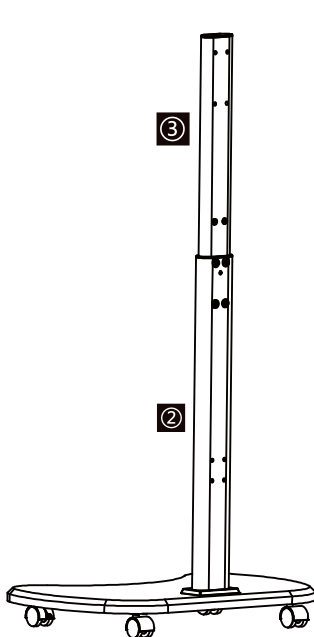
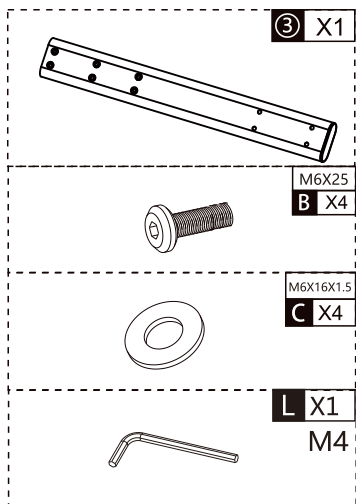
 M4*30 TV1 X4	 M6*16 TV2 X4	 M6*35 TV3 X4	 M8x16 TV4 X4	 M8x35 TV5 X4
 M8x50 TV6 X4	 SP1 TV7 X8	 SP2 TV8 X4	 SP3 TV9 X4	 Spacer with 3 holes TV10 X4

3

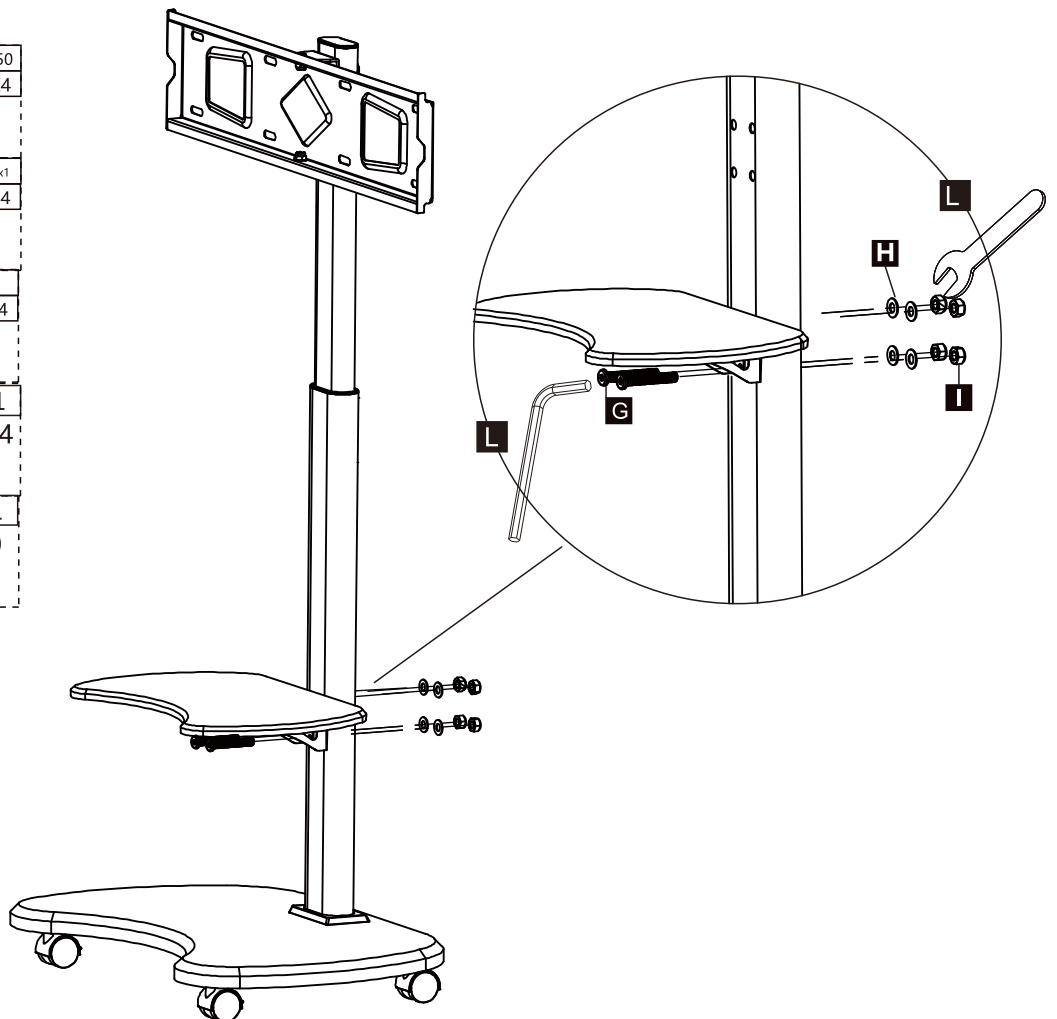
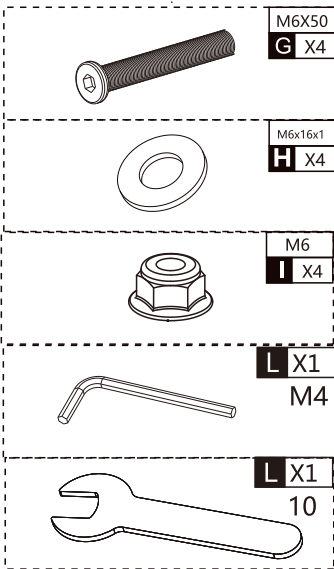
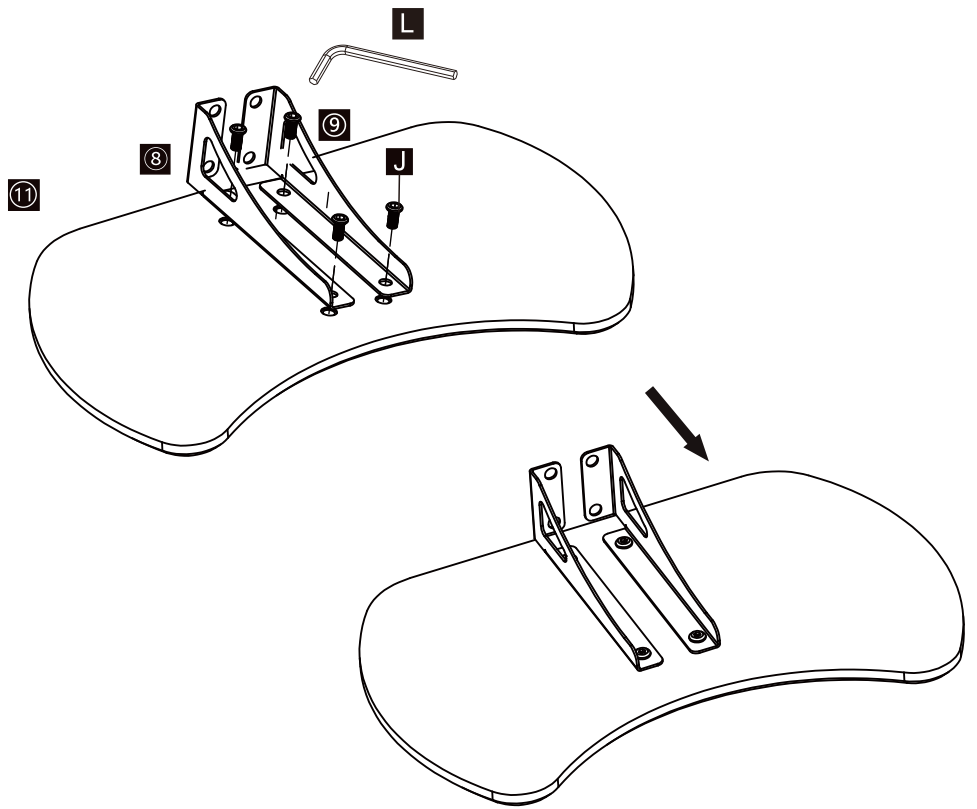
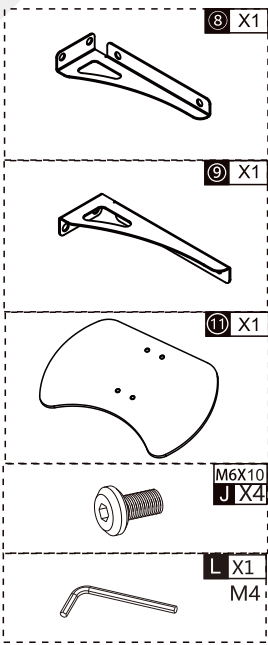


4

NOT INCLUDED



5



6

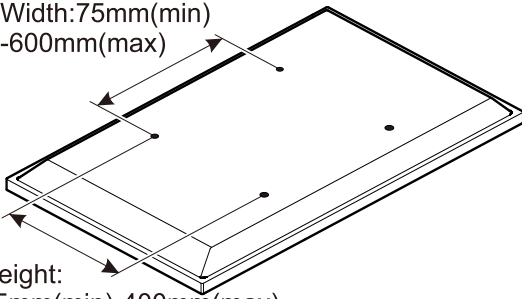
Measure the TV fixing holes Width and Height

TV1

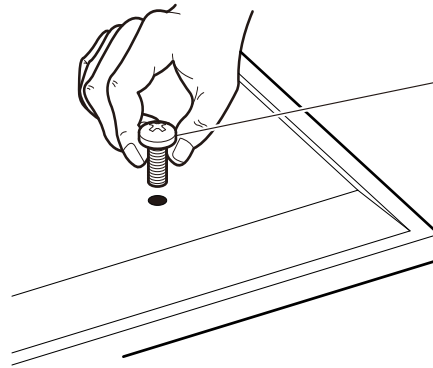
TV2-TV4

TV5-TV7

(X) Width: 75mm(min)  
-600mm(max)



(Y) Height: 75mm(min)-400mm(max)



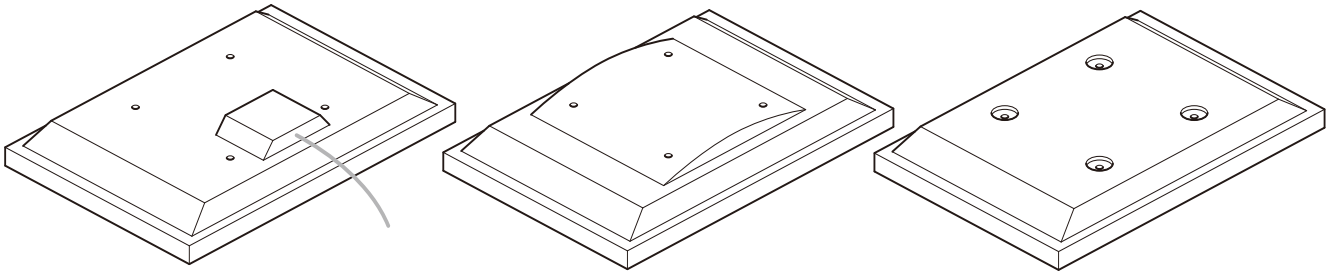
If width (X) is greater than 600mm or height (Y) greater than 400mm STOP installation now and contact the customer help line

You are provided with 3 diameters of TV fixing screws, M4, M6 and M8. Determine the screw diameter that fits

Spacers

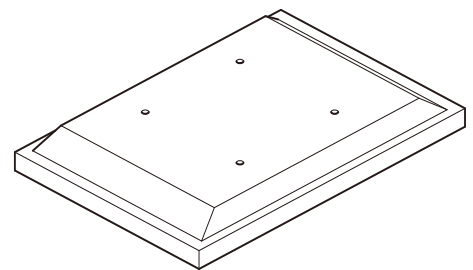
SP

For TVs with irregular/obstructed back



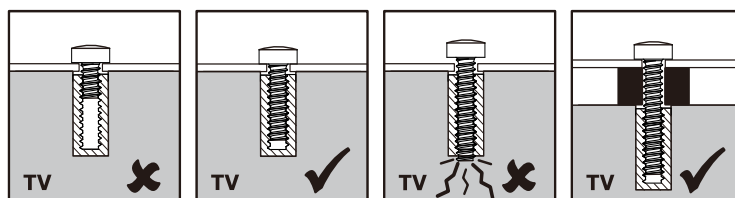
No Spacers

For TVs with flat/unobstructed back



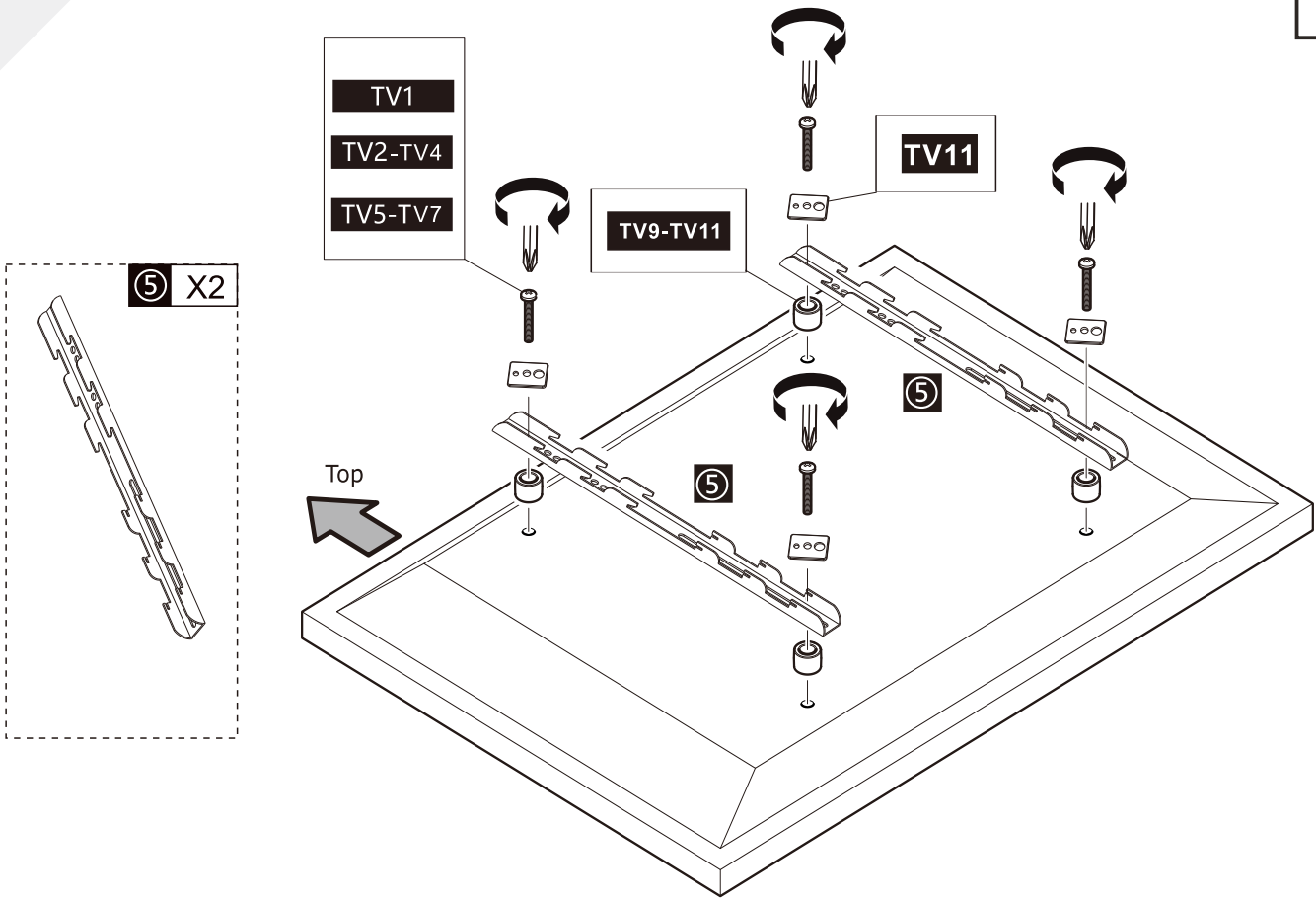
WARNING

Please keep for future reference.



7

NOT INCLUDED



M4  
TV1 X4

M6  
TV2-TV4 X4

M8  
TV5-TV7 X4

spacer with 3 holes  
TV11 X4

spacer with 3 holes  
TV11 X4

spacer with 3 holes  
TV11 X4

SP1 -SP3  
TV9-TV11  
X8

SP1 -SP3  
TV9-TV11  
X8

SP1 -SP3  
TV9-TV11  
X8

Attach the bracket to the back of your TV using suitable screw, reducer and spacer combinations.

8

NOT INCLUDED

